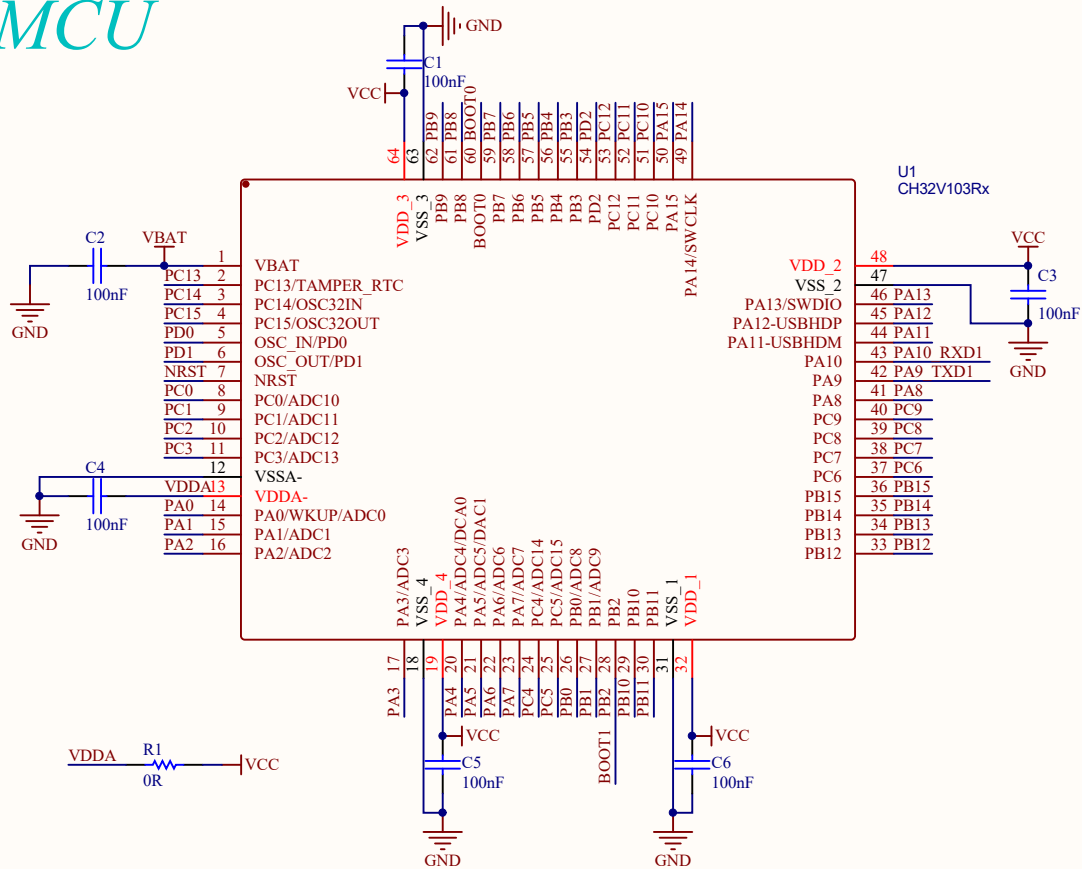
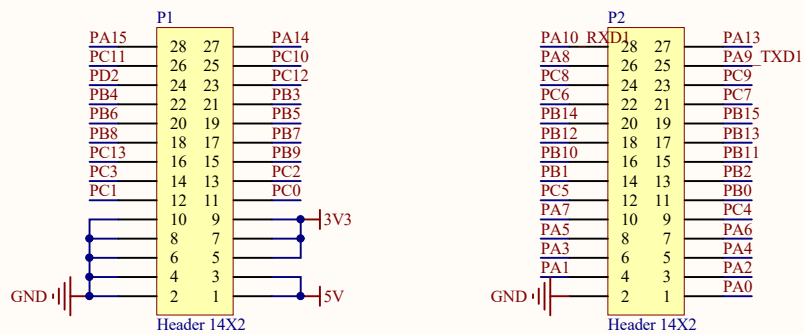


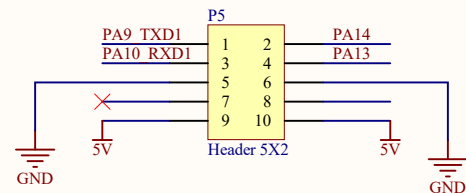
# MCU



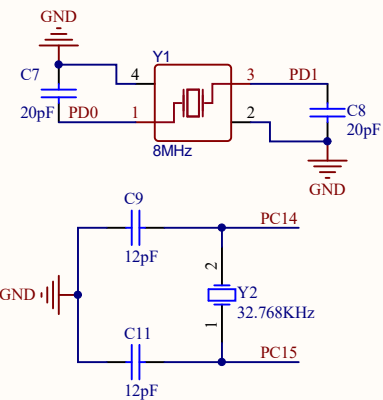
# PIN



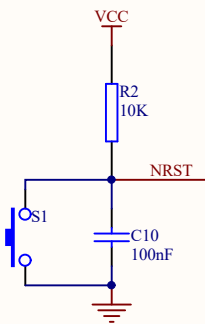
# SWD



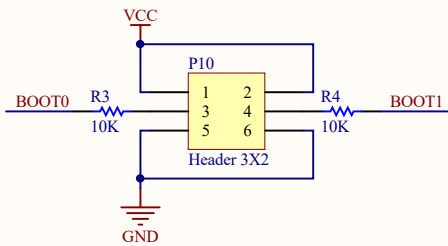
# XTAL



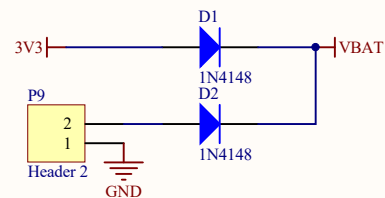
# RST



# BOOT



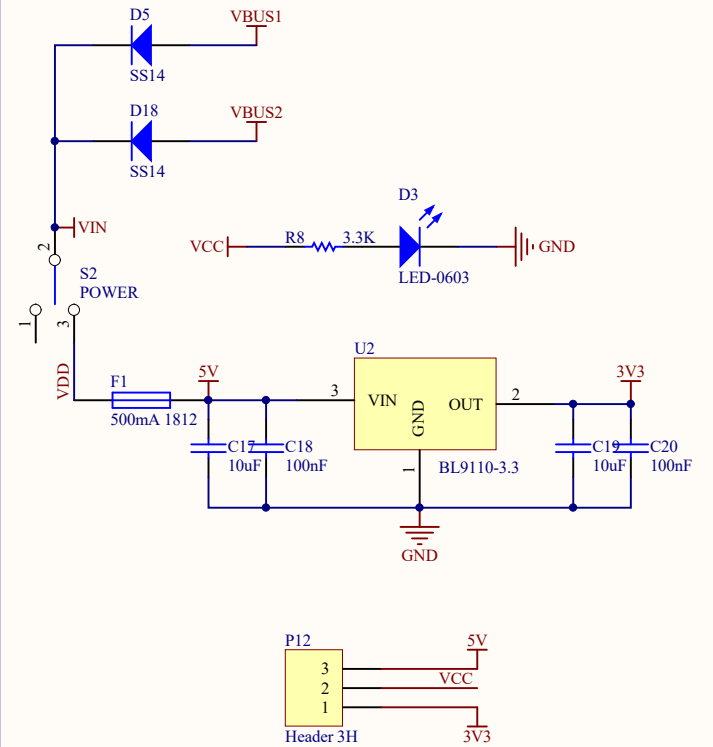
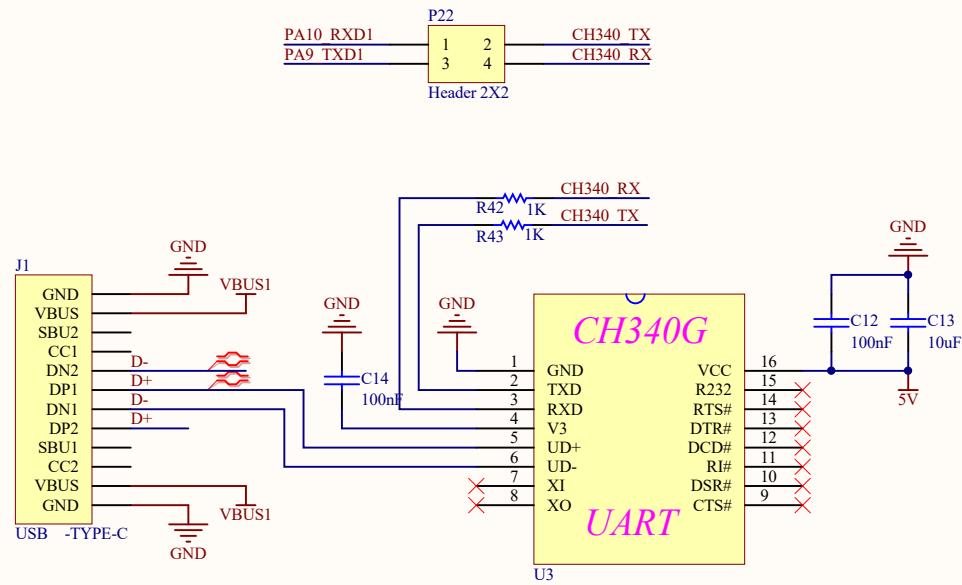
# RTC-BAT



Title			
Size	Number	Revision	
A4			
Date:	2021/9/28	Sheet	of
File:	C:\Users\...\CH32	-1-V1.0.SchDoc	Drawn By:

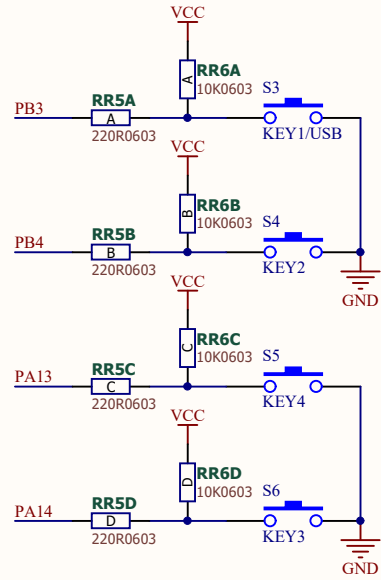
# POWER&USB USART

# DC5V-3.3V

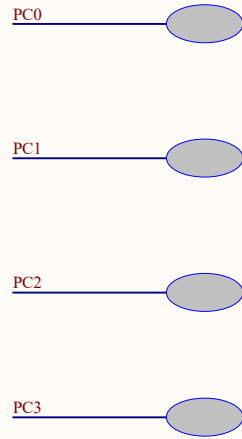


Title		
Size	Number	Revision
A4		
Date:	2021/9/28	Sheet of
File:	C:\Users\...\CH32 -2-V1.0.SchDoc	Drawn By:

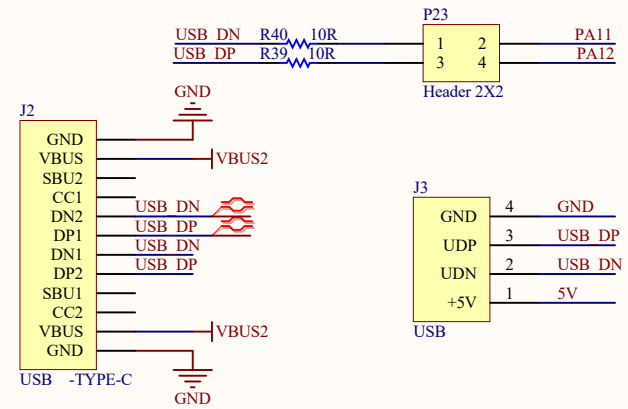
# KEY



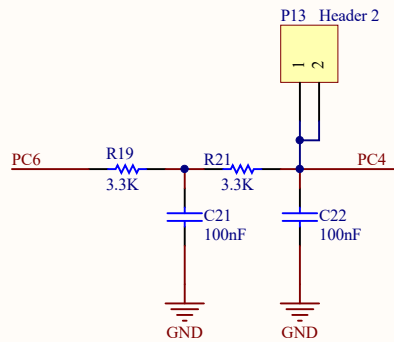
# TOUCHKEY



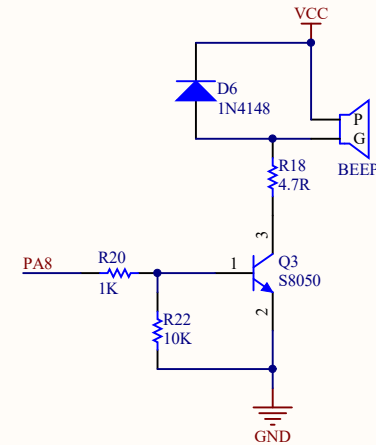
# USB



# PWM-DAC

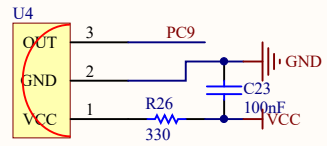


# BUZZER

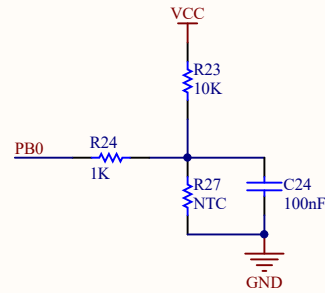


Title			
Size	Number		Revision
A4			
Date:	2021/9/28		Sheet of
File:	C:\Users\...\CH32 -3-V1.0.SchDoc		Drawn By:

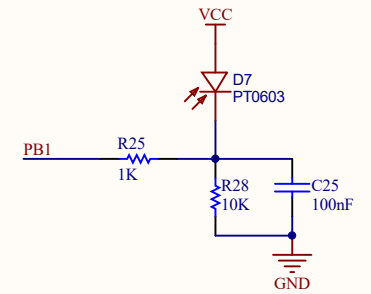
### IR RECEIVE



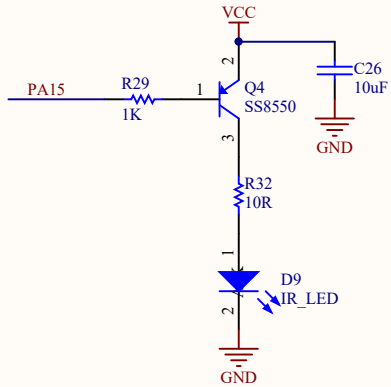
### NTC



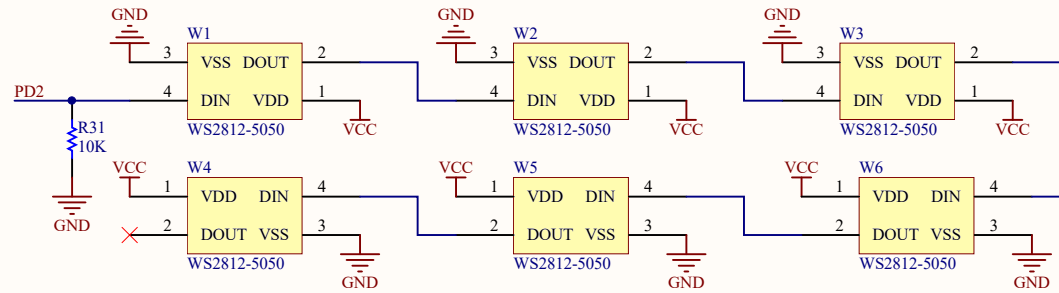
### LIGHT



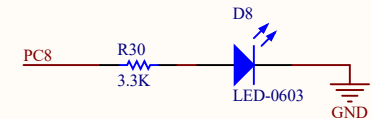
### IR SEND



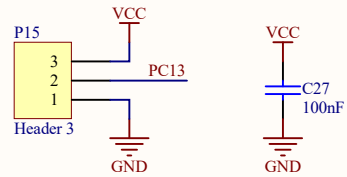
### RGB



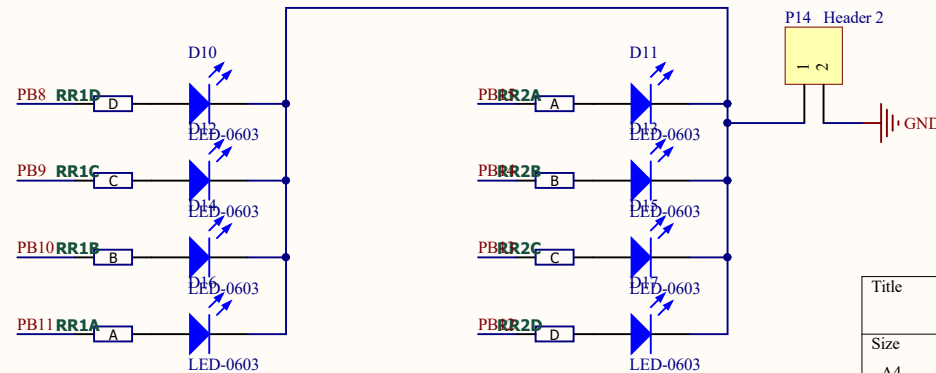
### LED



### DS18B20

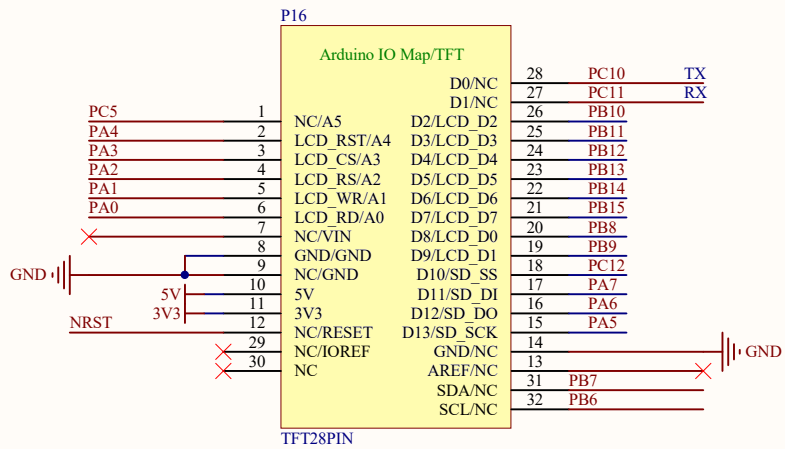


### 8\*LED

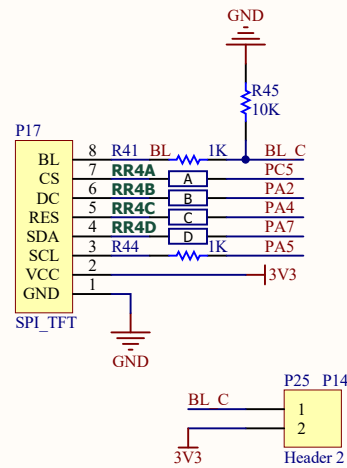


Title			
Size	Number	Revision	
A4			
Date:	2021/9/28	Sheet	of
File:	C:\Users\...CH32	-4-V1.0.SchDoc	Drawn By:

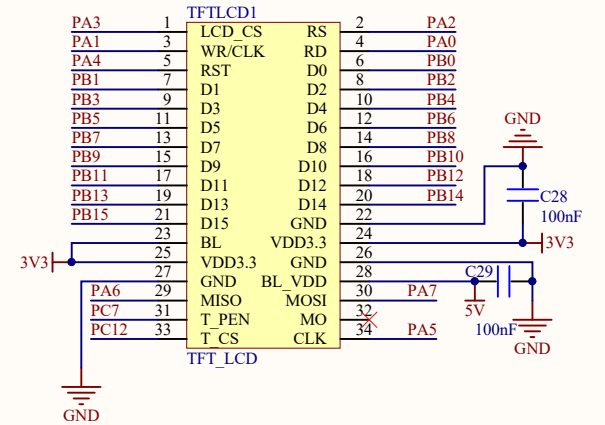
# 8\_FTLCID + TF Card/Arduino PIN



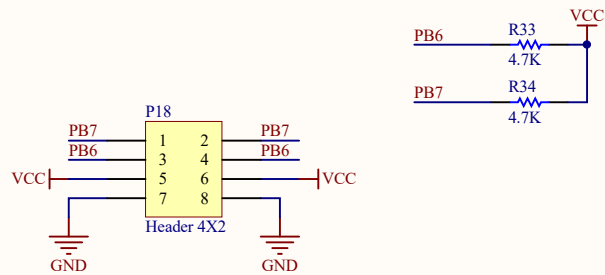
# SPI-144



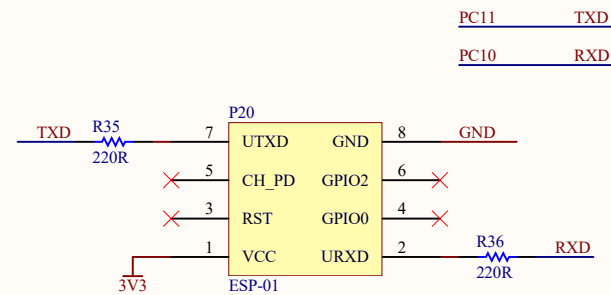
# 16\_TFTLCD



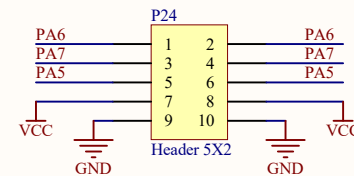
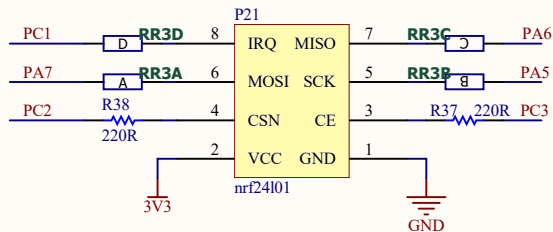
# IIC



# Wi-Fi



# 2.4G



Title		
Size	Number	Revision
A4		
Date:	2021/9/28	Sheet of
File:	C:\Users\...\CH32	-5-V1.0.SchDoc
		Drawn By: