

MCU

1

2

3

4

A

A

B

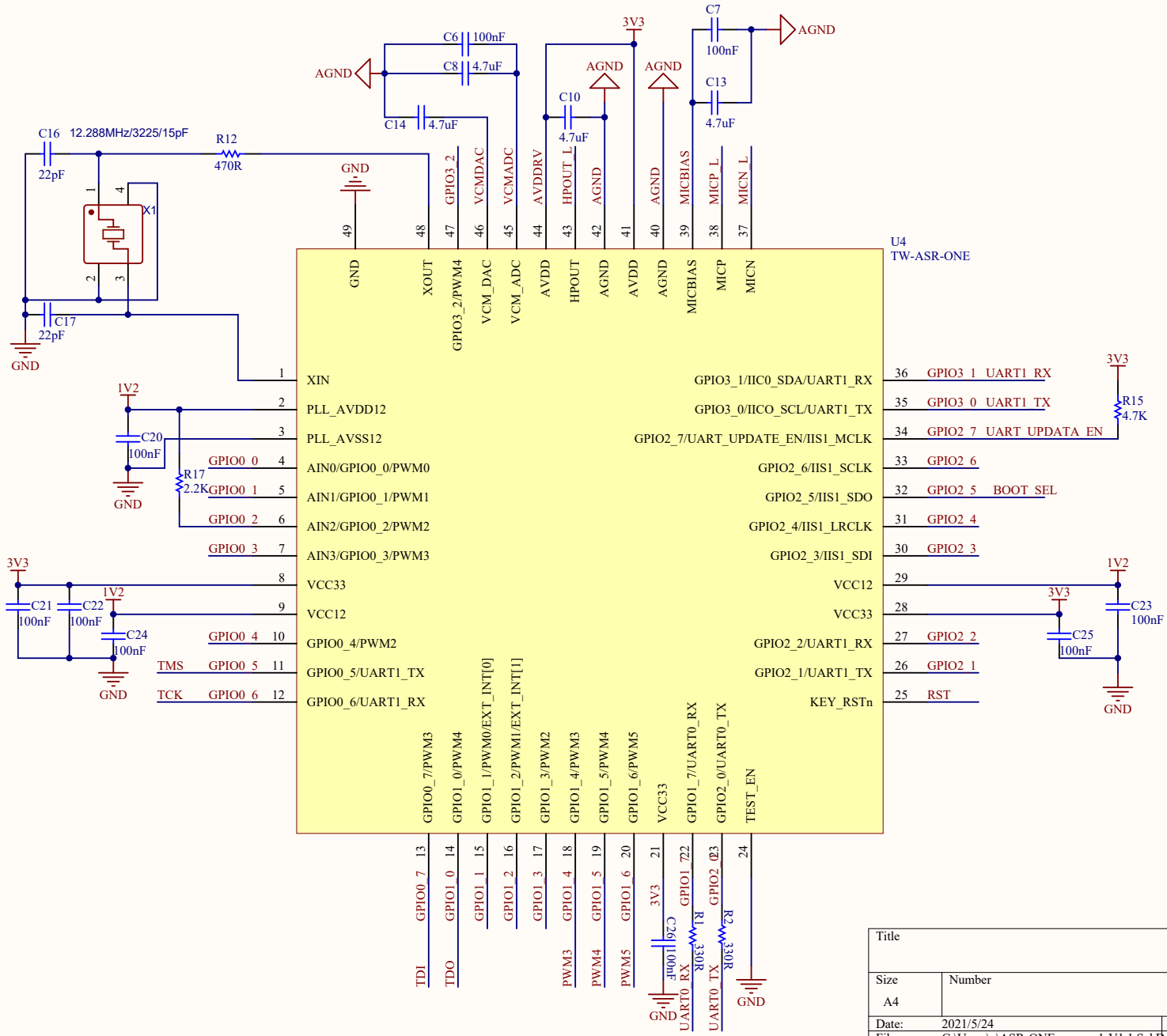
B

C

C

D

D



U4
TW-ASR-ONE

Title		
Size	Number	Revision
A4		
Date:	2021/5/24	Sheet of
File:	C:\Users\...\ASR-ONE	-1-V1.1.SchDoc
		Drawn By:

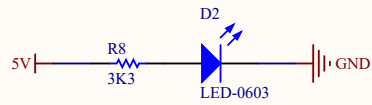
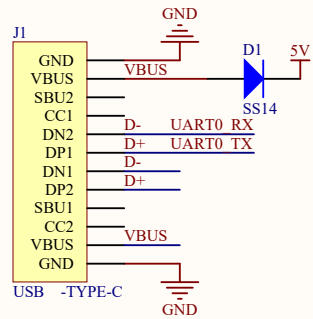
1

2

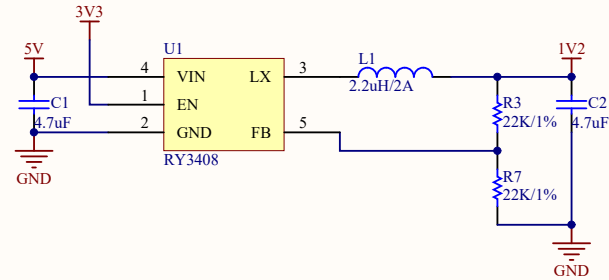
3

4

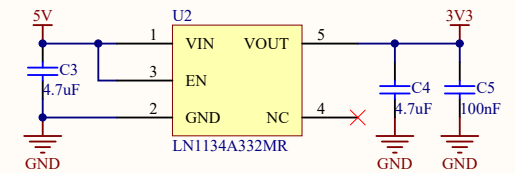
USB



3V3 1V2

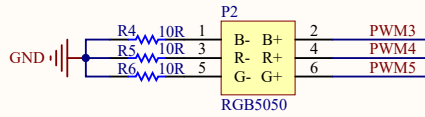


5V 3V3

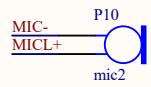


Title		
Size	Number	Revision
A4		
Date:	2021/5/24	Sheet of
File:	C:\Users\...\ASR-ONE	-2-V1.1.SchDoc Drawn By:

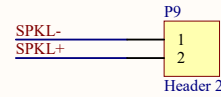
RGB



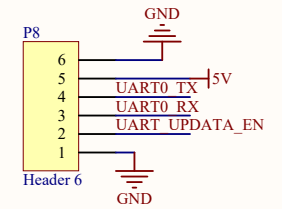
MIC



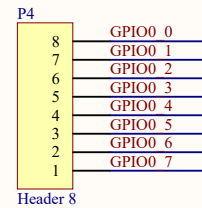
SPK



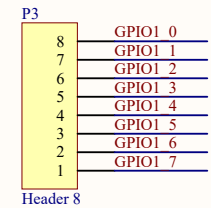
DOWNLOAD



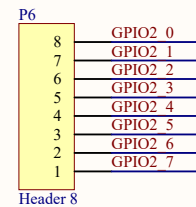
P0



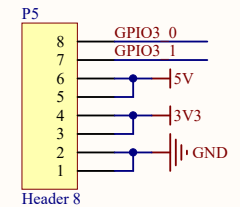
P1



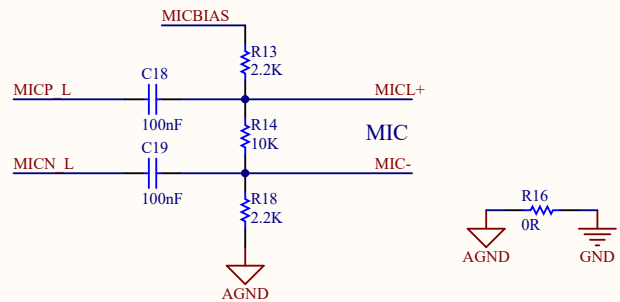
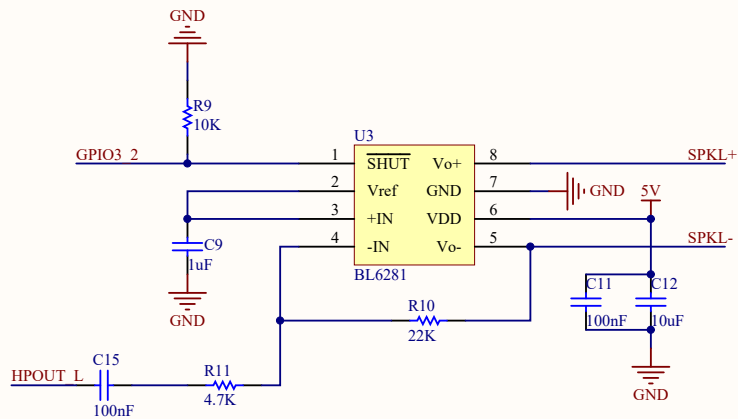
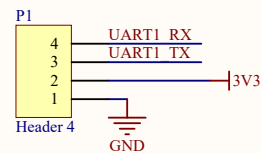
P2



P3



UART1_OUT



Title		
Size	Number	Revision
A4		
Date:	2021/5/24	Sheet of
File:	C:\Users\...\ASR-ONE	-3-V1.1.SchDoc
Drawn By:		